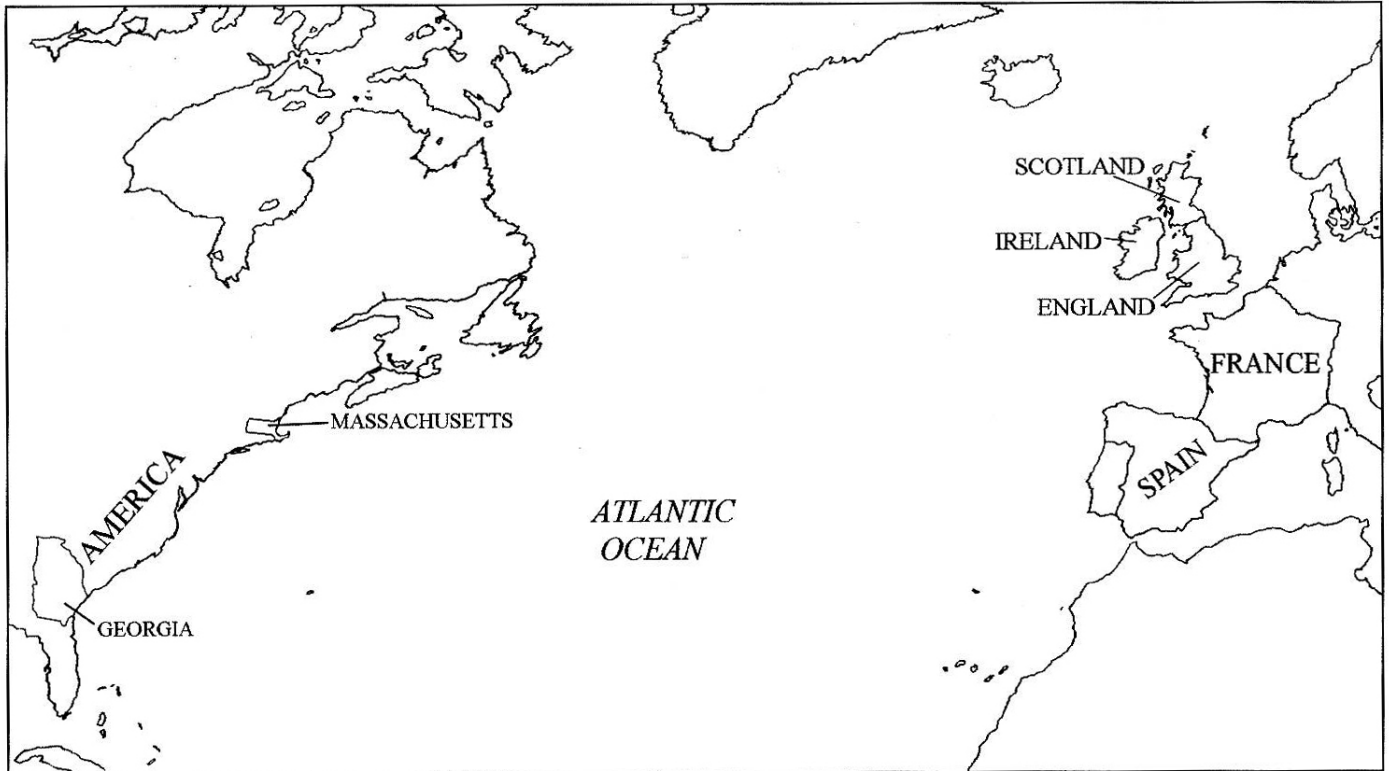


A Changing World



- Britain was an agricultural country that relied on muscle power and machines for work.
- James Watt was from Scotland.
- Railroads became a new way to transport the coal
- The introduction of steam power changed Britain.
- Eli Whitney made standardization popular in the United States.
- The area in America that was already a large cotton producer became an even greater cotton producer with the introduction of steam.

NEW WORDS!

Poplar tree - Any of numerous trees of north temperate regions having light soft wood and flowers borne in catkins

Loom - A textile machine for weaving yarn into a textile.

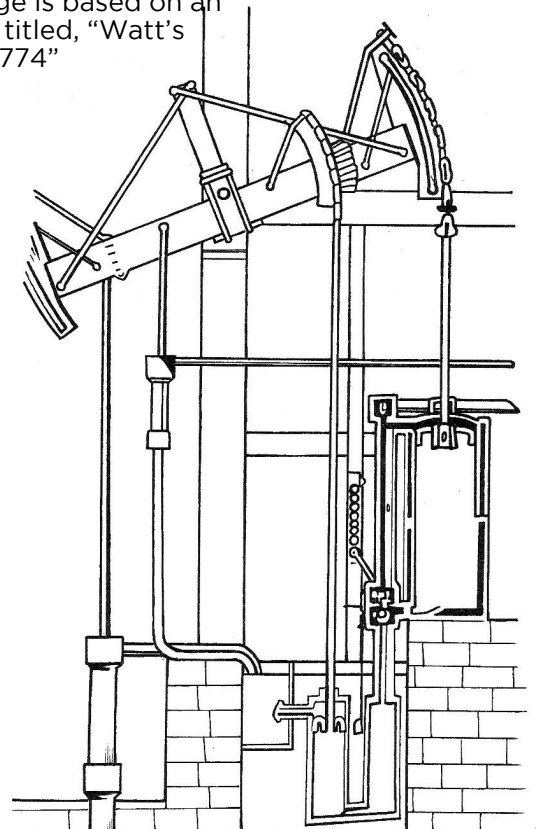
Bellow - A mechanical device that blows a strong current of air; used to make a fire burn more fiercely.

Methane - a gas put out by coal.

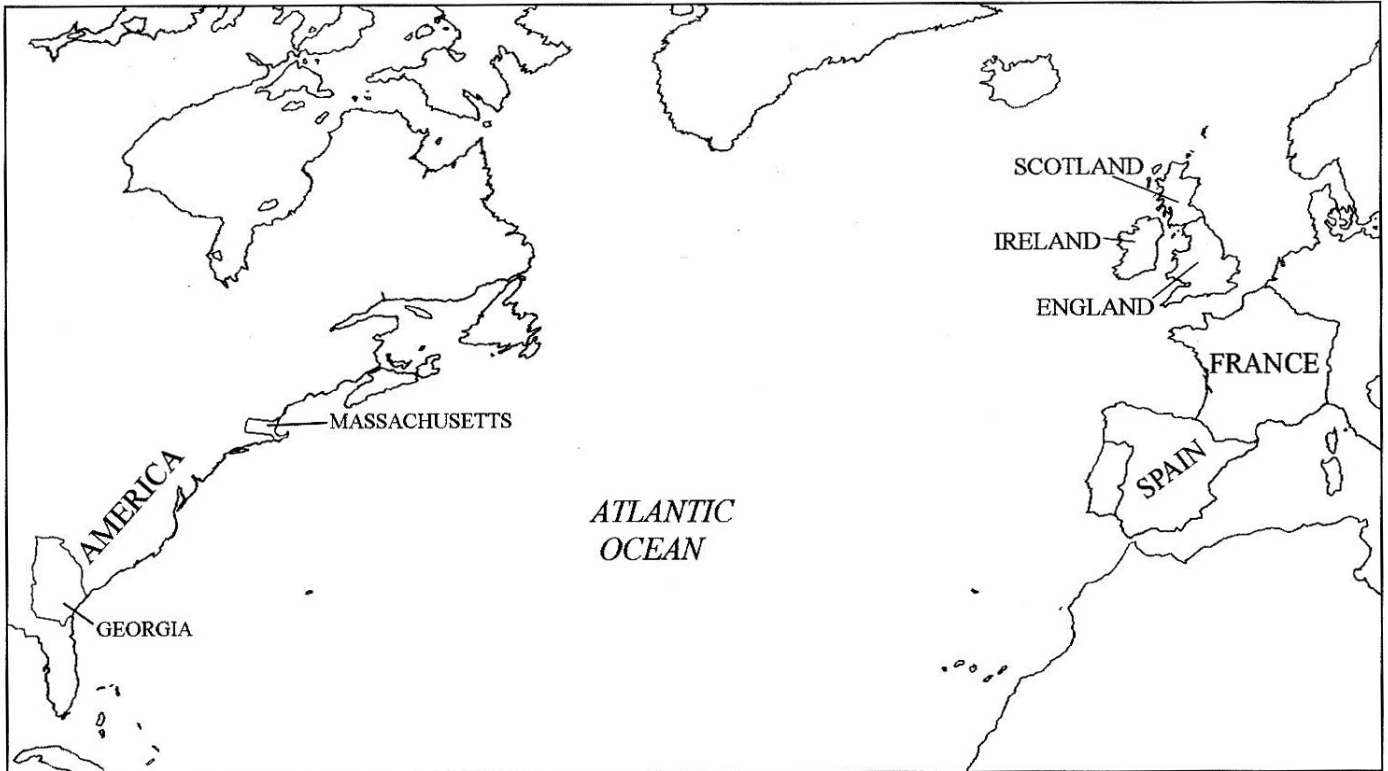
Blacklung - a disease caused by breathing coal dust into the lungs.

Standardization - parts are interchangeable.

This image is based on an old print titled, "Watt's Engine, 1774"



A Changing World



NEW WORDS!

Poplar tree - Any of numerous trees of north temperate regions having light soft wood and flowers borne in catkins

Loom - A textile machine for weaving yarn into a textile.

Bellow - A mechanical device that blows a strong current of air; used to make a fire burn more fiercely.

Methane - a gas put out by coal.

Blacklung - a disease caused by breathing coal dust into the lungs.

Standardization - parts are interchangeable.

