

The West



- Isaac Newton studied at Cambridge.
- John Locke, who wrote about a three-part government, studied at Oxford.
- Isaac Newton spent the end of his life in London.
- People in England and the Netherlands began to use crop rotation and other scientific methods of farming.
- Crop rotation allowed the minerals in the soil to renew themselves, and crops in this richer soil yielded better crops.

NEW WORDS!

Philosophers - people who think about ideas.

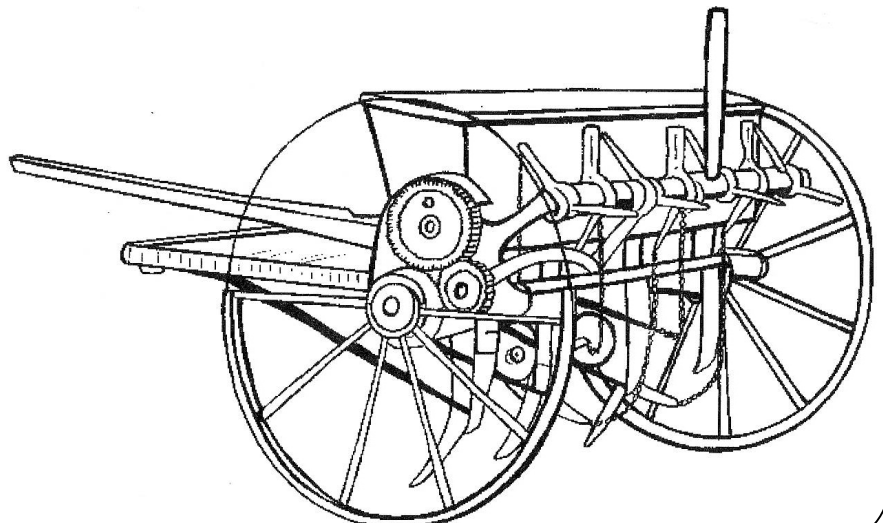
Economists - people who think about money and how it works.

Political Philosophers - people who think about the ways countries are governed.

Valet - A manservant who acts as a personal attendant to his employer.

Constitutional monarchy - the king and queen themselves had to obey the laws passed by Parliament.

A scientist-farmer named Jethro Tull invented the seed drill.



The West



NEW WORDS!

Philosophers - people who think about ideas.

Economists - people who think about money and how it works.

Political Philosophers - people who think about the ways countries are governed.

Valet - A manservant who acts as a personal attendant to his employer.

Constitutional monarchy - the king and queen themselves had to obey the laws passed by Parliament.

